



- **Standard VoIP/SIP telephone**
- **Robust housing, constructed of cold rolled steel**
- **Vandal resistant metal button**
- **Hands free operation**
- **Surface & Pillar mounting, simple installation**
- **Weather proof protection: up to IP65**
- **One button for emergency call**
- **External power supply or PoE (SIP)**
- **RJ45 Port for SIP connection**
- **CE, FCC,RoSH compliant**

The Hands Free Telephone is designed to meet the needs of client who experience loss through vandalism. Ideal for Highway, parking lots, Roadside, railway/metro platforms, hospitals, police stations, outside building etc.

Housed in cold rolled steel box and manufactured to a high standard, these telephones offer increased resistance to vandalism, and ensure that the primary function of communications is maintained at all times.

Extremely easy to install. The cable entrance is on the back of the phone to prevent from artificial damage, while the keypad or Button is weather and vandal resistant.

Standard Analogue

As a standard analogue telephone, this unit provides basic telephone functions and can be connected to any standard two-wire telephone line, including analogue PABX lines and PSTN.

SIP-VoIP TECHNICAL SPECIFICATIONS

Power Input:

12-24V DC

Port:

WAN: 10/100Base-T RJ-45 for LAN, Auto MDIX

LAN: 10/100Base-T RJ-45 for PC, Auto MDIX

Power Consumption:

Idle:1.5W/ Active:1.8W

Voice Features

- Support SIP 2.0 (RFC3261)
- Codec: G.711A/u, G.7231 high/low, G.729, G.722
- Echo cancellation: Support G.168 and hand-free can support 96ms
- Supports full duplex
- SIP support SIP domain, SIP authentication(none, basic,MD5),DNS name of server
- DTMF:SIP info, DTMF Relay, RFC2833
- Call control features: Flexible dial map, support hot-line

Network Features

- WAN/LAN: support Bridge mode
- Support static IP address
- Support DHCP get IP on WAN port
- Support VLAN
- Support web config

TECHNICAL SPECIFICATIONS

Casing Material

Cold rolled steel body

Colors

RED, YELLOW, GREY

Handset Material

No handset

Keypad

No keypad

Temperature

Operating: -30°C to +70°C

Storing: -40°C to +75°C

Weather Resistance

IP65

Ringtone

Shrill warble tone 85 dBA @ 1 metre typical

Hook switch

Electronic / magnetic with no visible moving parts

M.T.B.F.

Calculated to have an M.T.B.F. in excess of 50,000 hours using

Weight

Up to 1 kg depending on option

ANALOGUE

Dialing

MF (tone)

Power supply

Drawn from telephone line

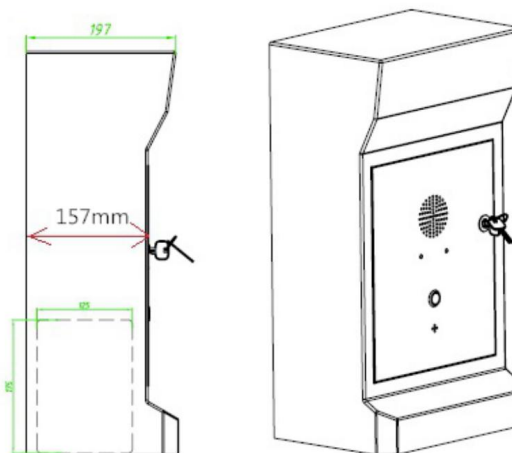
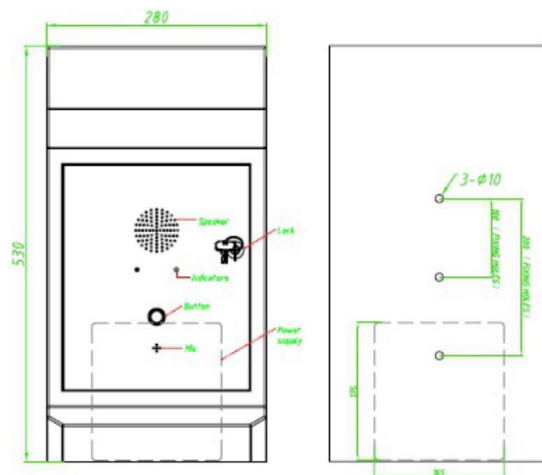
Lightning / Transients

Protection to ITU-T k.21 enhanced levels

Programming

Can be programmed as an auto-dial phone

Installation



APPROVALS



This mark indicates compliance with the:
Radio & Telecommunications Terminal Equipment
Directive
2004/108/EC



This mark indicates compliance with the:
FCC Part 15 Subpart B Class B

PACKAGE

unit size: 530 *280*197(mm)

Carton size:600*320 *240(mm)

Packaging materials: pearl cotton, carton

Gross weight: 9.5KG

Net weight: 8.5KG